

06.03.2021 , 05.02.2022 , 10.01.2023  
 www.sp3abg.taog.pl sp3abg@gmail.com

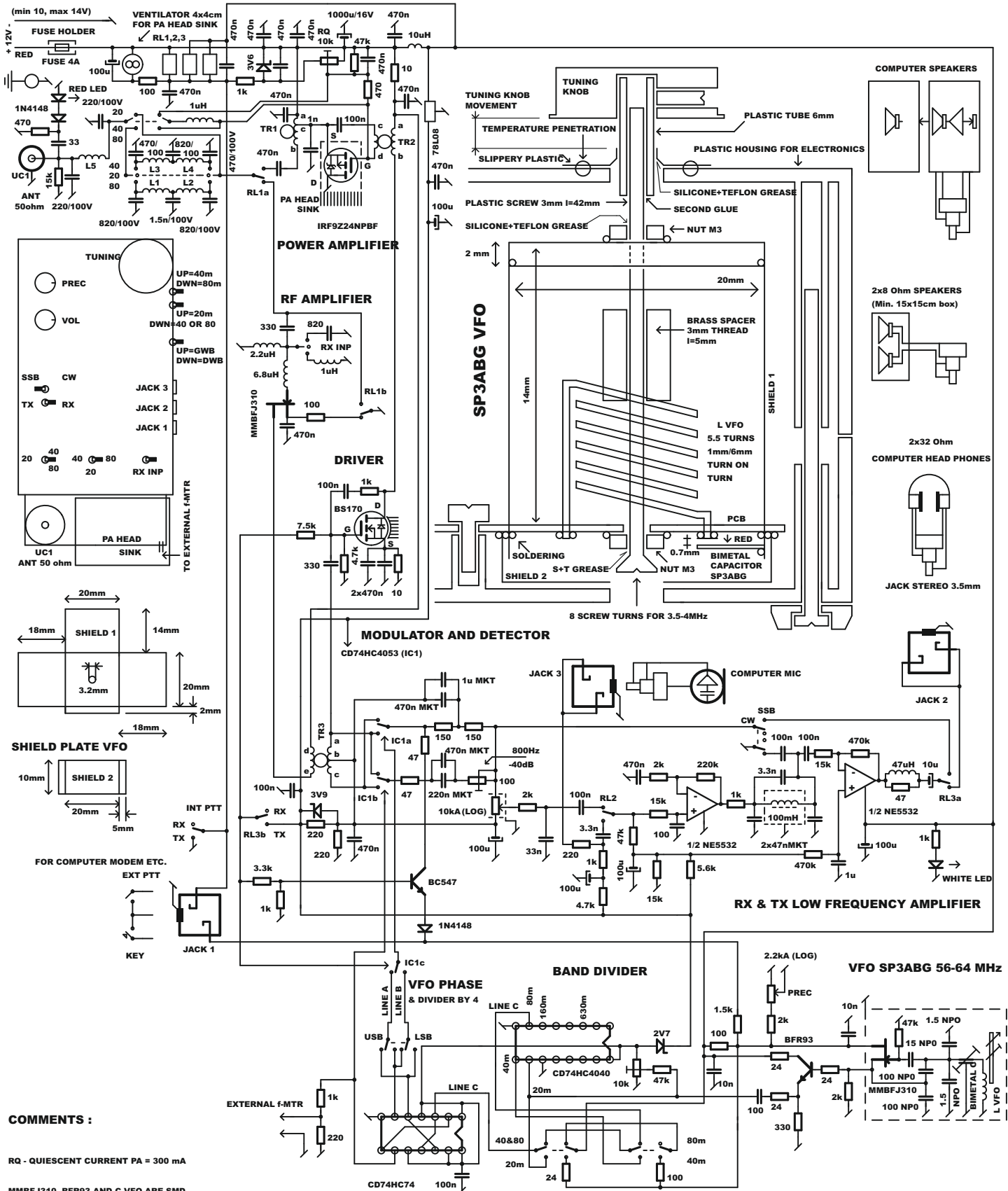
# QRP TRANSCEIVER 3MILLIONS\$

all rights reserved  
 SP3ABG

**READ CAREFULLY  
 AND UNDERSTAND**

**ALSO TO BE MADE AT HOME**

**80+40+20m, 5W, 0.9uV, CW+SSB**



**COMMENTS :**

RQ - QUIESCENT CURRENT PA = 300 mA

MMBFJ310, BFR93 AND C VFO ARE SMD